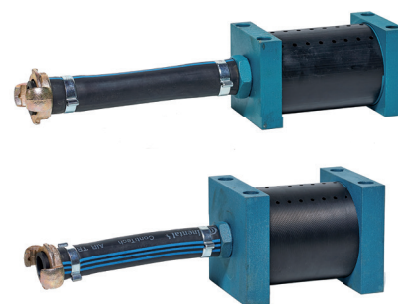


Pneumatic Formwork Vibrators

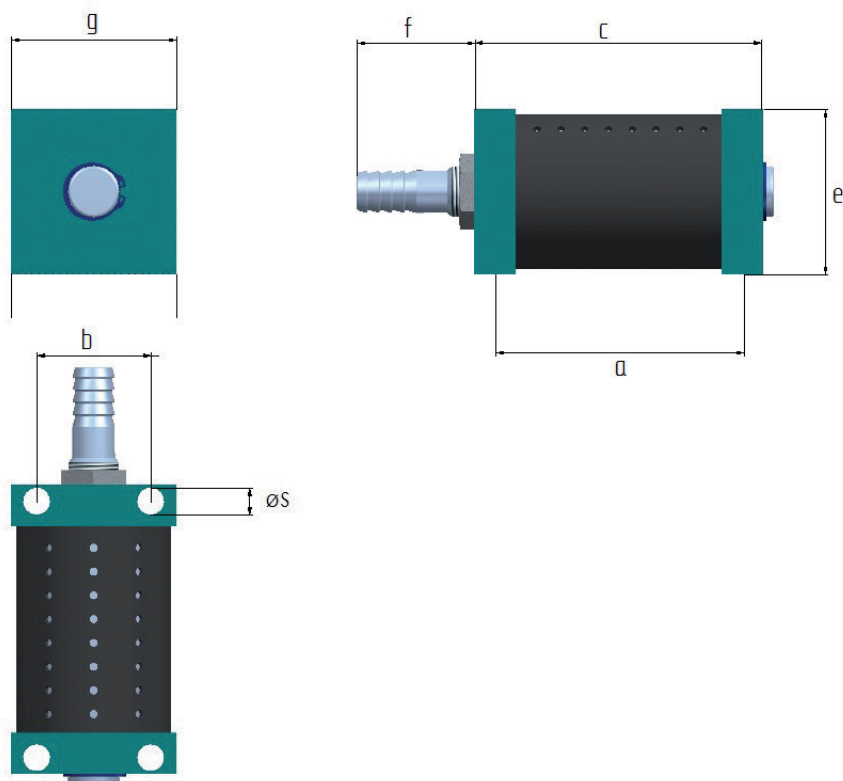
Our pneumatic formwork vibrators are lightweight, easy to handle and can be steplessly regulated by means of the air volume flow. They immediately reach their nominal speed when the air feed is switched on. Thanks to their compact size they can be easily mounted anywhere on the formwork.

Minimum maintenance requirements and wear and tear as well as the bearing-less structure of the external vibrators ensure trouble-free operation and an especially long service life, especially in cases of high demands and long-term operation.

These devices are also available for hire as a cost-efficient alternative.



type	rotational speed	centrifugal force	air consumption	weight	mounting dimensions			overall dimensions			
	min ⁻¹	N	m ³ /min.	kg	mm			mm			
					a	b	∅ s	c	e	f	g
VR- 56K	17,500	25,000	1.05	3.5	124	55	12.5	140	80	70	76
VR- 57K	14,000	31,500	1.37	7.5	125	73	14.5	150	110	70	110



The above given technical performance data are non-binding average values and are subject to modifications and amendments.