

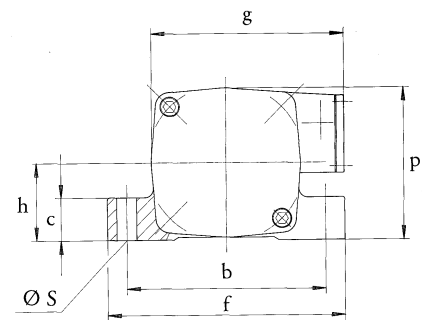
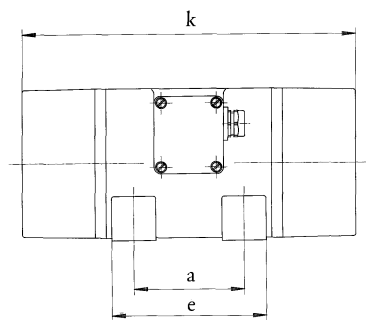
## Vibration Motor VE 8

The extremely sturdy housing is manufactured from highly resistant, heat treated aluminium chill casting. The bearings NJ 2304 C4 are lubricated with special grease, i.e. UNIREX N3, to ensure optimum performance and long life. The centrifugal force can be changed by means of mountable eccentric weights. The vibrator can be run continuously with all the eccentric weights mounted, taking into consideration the admissible power input.

\*An exception is type VE 8/2-11. This unit is a special purpose unit which should only be run intermittently to ensure constant flow at the outlet of storage bins where material jams can sometimes occur. Mounted bearings: 6303 2Z C4 are lubricated for life.

- standard voltage 230/400V · 50Hz
- other voltages available
- protection class IP65 – insulation class F

type	rotational speed  upm	centrifugal force  N	working moment  cm kg	centrifugal force settings		standard voltage		nominal current  A	power input  W
				-	11	3 ~	230/400		
VE 8/2	3000	4200	8,4	-	11	3 ~	230/400	1,65 / 0,95	540
VE 8/2-11	3000	5350	10,7	-	14	3 ~	230/400	1,65 / 0,95	540



type	mounting dimensions			base dimensions			external dimensions				mass kg
	mm			mm			mm				
	a	b	Ø <sub>S</sub>	c	e	f	h	g	p	k	
VE 8/2	100	180	18	35	130	210	65	165	124	288	12,0
VE 8/2-11	100	180	18	35	130	210	65	165	124	275	11,5

The above given technical performance data are non-binding average values and are subject to modifications and amendments.