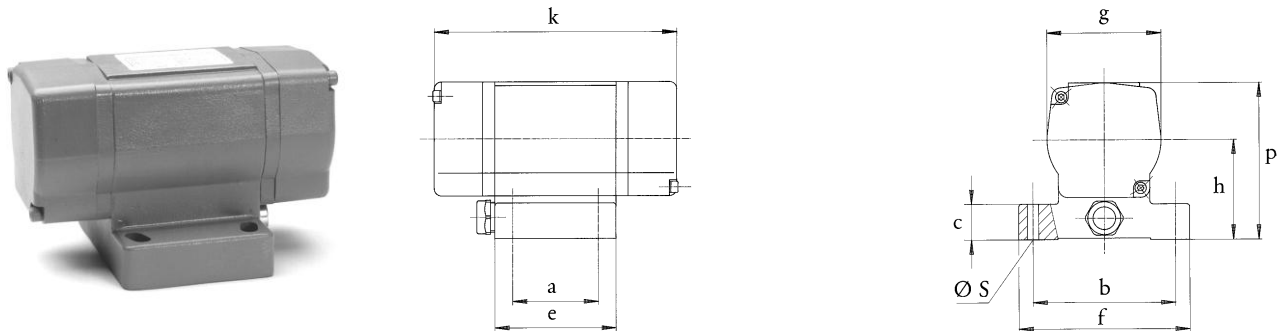


Vibration Motor VE 1

The sturdy housing is manufactured from aluminium chill casting. The amply dimensioned bearings 6302 ZZ C4 are lubricated for life. The centrifugal force can be changed stepwise by taking off the eccentric weights. The vibrator can be run continuously with all the eccentric weights mounted, taking into consideration the admissible power consumption.

- standard voltage 230/400V · 50Hz
- other voltages are available
- protection class IP65 – insulation class F
- for operation with 230V A.C. power supply source an operating capacitor of 4µF can be provided.

| type | rotational speed upm | centrifugal force N | working moment cm kg | centrifugal force settings in steps | standard voltage | | nominal current A | power input W |
|--------|-----------------------------|----------------------------|-----------------------------|--|----------------------------|---------|--------------------------|----------------------|
| | | | | | 50-60 Hz * V | | | |
| VE 1/2 | 3000 | 500 | 1 | 5 | 3 ~ | 230/400 | 0,3 / 0,17 | 95 |
| VE 1/4 | 1500 | 125 | 1 | 5 | 3 ~ | 230/400 | 0,23 / 0,13 | 60 |



| type | mounting dimensions | | | base dimensions | | | external dimensions | | | | mass kg |
|--------|---------------------|-----|----------------|-----------------|----|-----|---------------------|----|-----|-----|------------|
| | mm | | | mm | | | mm | | | | |
| | a | b | Ø _S | c | e | f | h | g | p | k | |
| VE 1/2 | 60 | 100 | 9,5 | 25 | 85 | 120 | 70 | 80 | 110 | 170 | 3,6 |
| VE 1/4 | 65 | 85 | 9,5 | 25 | 85 | 120 | 70 | 80 | 110 | 170 | 3,6 |

The above given technical performance data are non-binding average values and are subject to modifications and amendments.