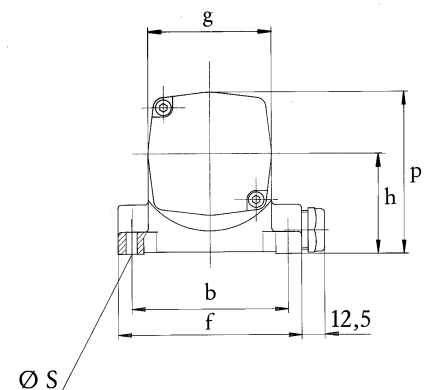
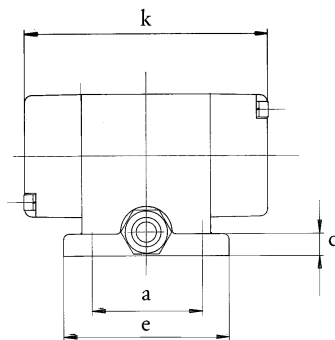


## Vibration Motor VE 0,4/2

The sturdy housing is manufactured from aluminium chill casting. The amply dimensioned bearings 629 ZZ C3 are lubricated for life. The centrifugal force can be changed stepwise by taking off the eccentric weights. The vibrator can be run continuously with all the eccentric weights mounted, taken into consideration the admissible power consumption.

- standard voltage 400V · 50 Hz
- other voltages are available
- type of protection IP65 – insulation class F
- for operation with a 230V alternating current power supply source an operating capacitor of 2 $\mu$ F can be provided

type	rotational speed upm	centrifugal force N	working moment cm kg	centrifugal force settings		standard voltage 50-60 Hz * V		nominal current A	power input W
				-	4	3~	400		
VE 0,4/2	3000	200	0,4	-	4	3~	400	0,1	50



type	mounting dimensions mm			base dimensions mm			external dimensions mm				mass kg
	a	b	$\varnothing_s$	c	e	f	h	g	p	k	
VE 0,4/2	60	85	6	12	90	100	54,5	67	88	132	1,9
	78	83	6								

The above given technical performance data are non-binding average values and are subject to modifications and amendments.