

## Vibration Motor VE 0,1/2

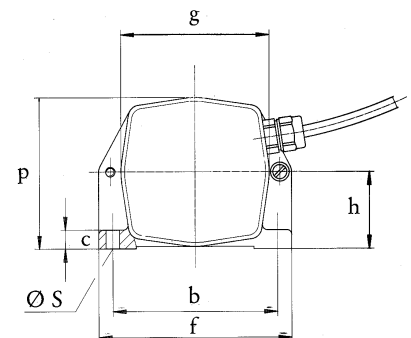
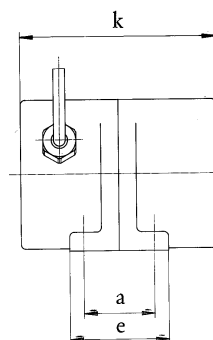
A very small compact unit, requiring minimum space and no adjustment of the centrifugal force. With the rated current input this vibrator can be run continuously. The sturdy case is manufactured from aluminium chill casting. It is not lacquered.

3 ft. connection cable 3 x 0,75 mm<sup>2</sup>, Ø 7 mm, ÖLFLEX-540P

rated voltages: 200 – 240V 50Hz  
or: 200 – 254V 60Hz

- protection class IP65 – insulation class E

type	rotational speed  upm	centrifugal force  N	working moment  cm kg	centrifugal force settings  stepless / in steps	standard voltage		nominal current  A	power input  W
					50-60 Hz  *  V			
VE 0,1/2	3000	40	0,08	not adjustable	1~	230	0,11	25



type	mounting dimensions			base dimensions			external dimensions				mass  kg
	mm			mm			mm				
	a	b	Ø <sub>S</sub>	c	e	f	h	g	p	k	
VE 0,1/2	30	70	6	8	42	82	32,5	63	64	83	0,97

The above given technical performance data are non-binding average values and are subject to modifications and amendments.