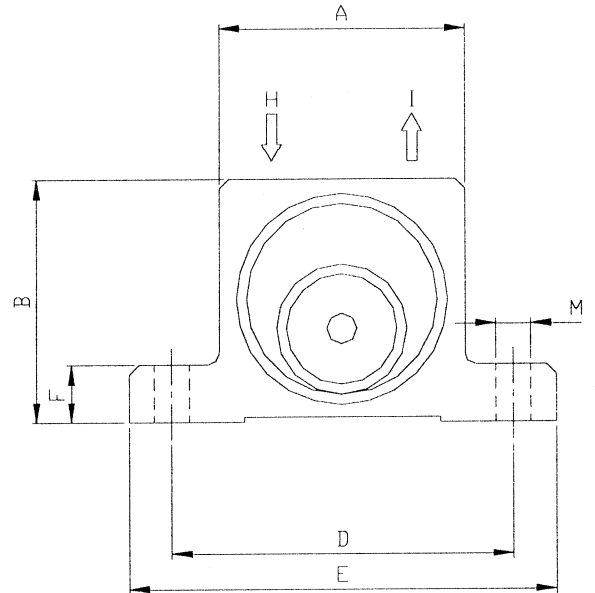


Pneumatic Roll Vibrators MRR

The frequency can be adjusted stepless according to the inlet pressure.

The vibrators are explosion proofed.



Type	rotational speed upm			centrifugal force N			air consumption l/min			mass kg
	2 bar	4 bar	6 bar	6 bar	2 bar	4 bar	6 bar	2 bar	4 bar	
MRR 50	21500	25000	30000	200	1850	2800	3500	80	145	0,37
MRR 65	21000	23000	28000	300	2310	4400	5450	100	200	0,75
MRR 80	15000	17000	22000	380	3400	5800	6200	122	260	1,26
MRR 100	8000	10000	11000	420	2900	6000	7700	132	290	2,50

Typ	A	B	D	E	F	G	H	I	M
	mm								
MRR 50	50	50	68	86	12	30	1/8 "	1/8 "	7
MRR 65	65	65	90	113	16	36	1/4 "	1/4 "	9
MRR 80	80	80	102	128	16	40	1/4 "	1/4 "	9
MRR 100	100	100	130	160	20	52	3/8 "	3/8 "	11

The above given technical performance data are non-binding average values and are subject to modifications and amendments.