

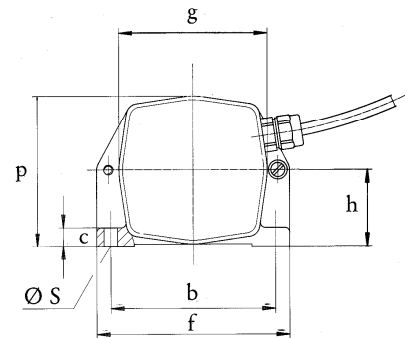
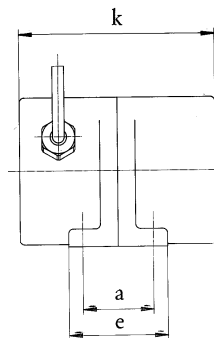
Vibration Motor VE 0,1/2

A very small compact unit, requiring minimum space and no adjustment of the centrifugal force. With the rated current input this vibrator can be run continuously. The sturdy case is manufactured from aluminium chill casting. It is not lacquered.

3 ft. connection cable 3 x 0,75 mm², Ø 7 mm, ÖLFLEX-540P

- rated voltages: 200 – 240V 50Hz
or: 200 – 254V 60Hz
- protection class IP65 – insulation class E

| type | rotational speed upm | centrifugal force N | working moment cm kg | centrifugal force settings stepless / in steps | standard voltage | | nominal current A | power input W |
|----------|-----------------------------|----------------------------|-----------------------------|---|--------------------|-----|--------------------------|----------------------|
| | | | | | 50-60 Hz * V | | | |
| VE 0,1/2 | 3000 | 40 | 0,08 | not adjustable | 1~ | 230 | 0,11 | 25 |



| type | mounted dimensions | | | base dimensions | | | external dimensions | | | | mass kg |
|----------|--------------------|----|----------------|-----------------|----|----|---------------------|----|----|----|------------|
| | mm | | | mm | | | mm | | | | |
| | a | b | Ø _S | c | e | f | h | g | p | k | |
| VE 0,1/2 | 30 | 70 | 6 | 8 | 42 | 82 | 32,5 | 63 | 64 | 83 | 0,97 |

The above given technical performance data are non-binding average values and are subject to modifications and amendments.